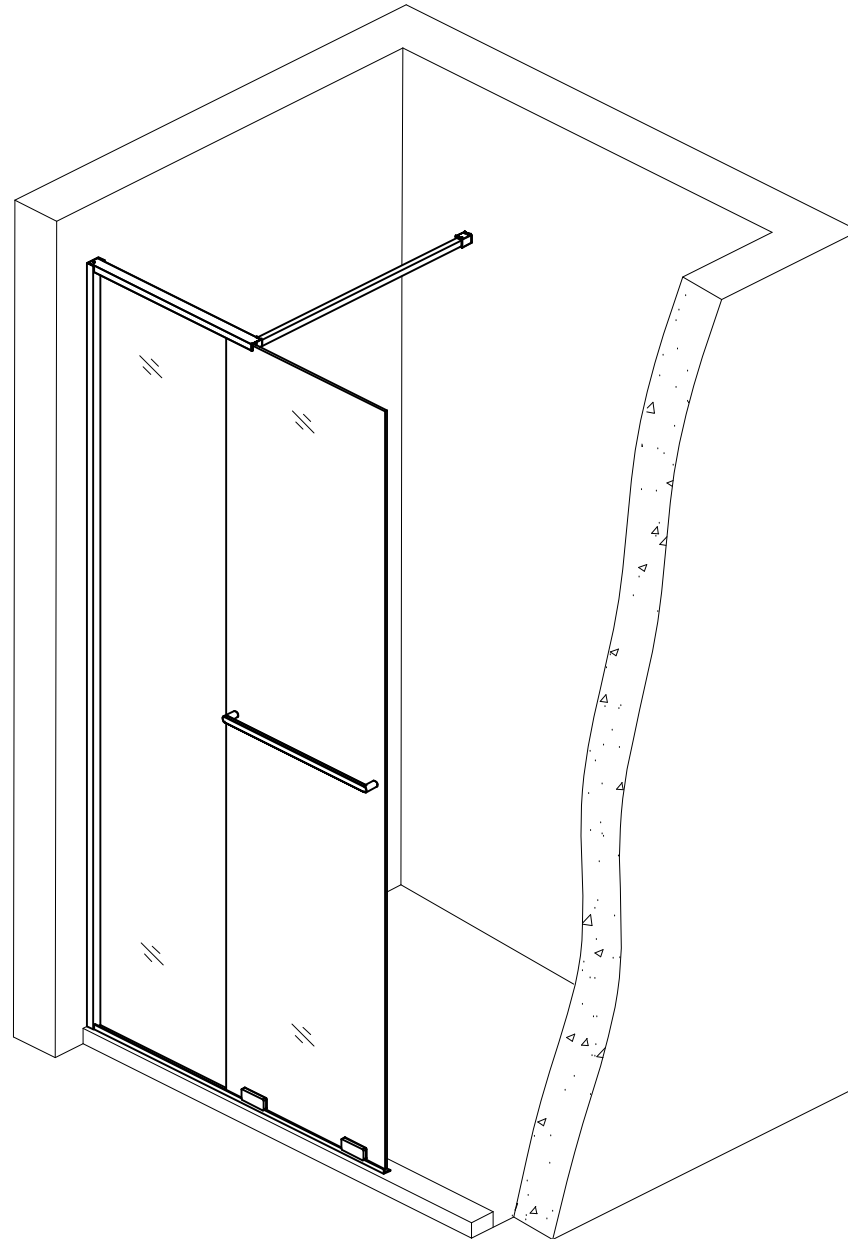
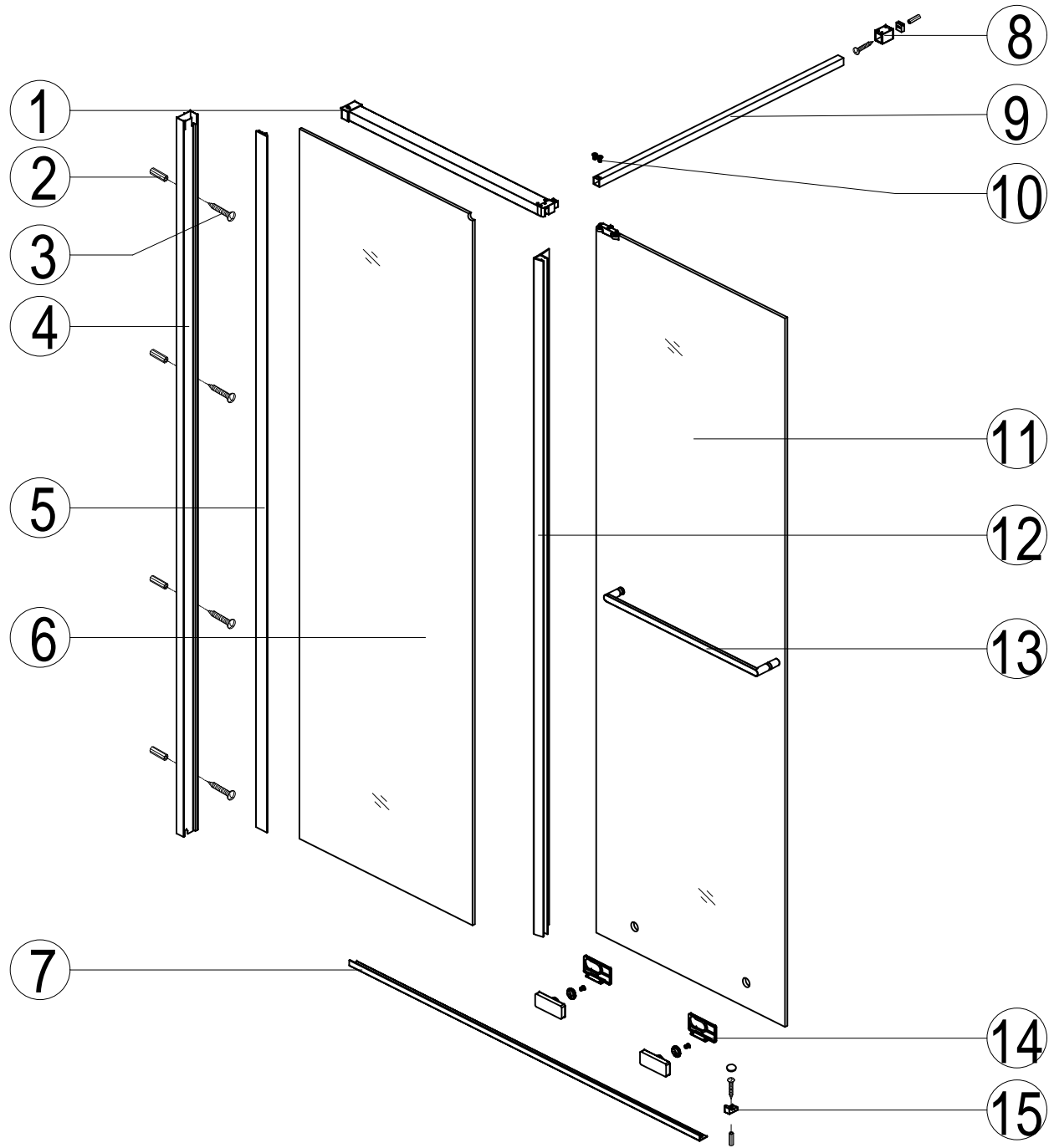
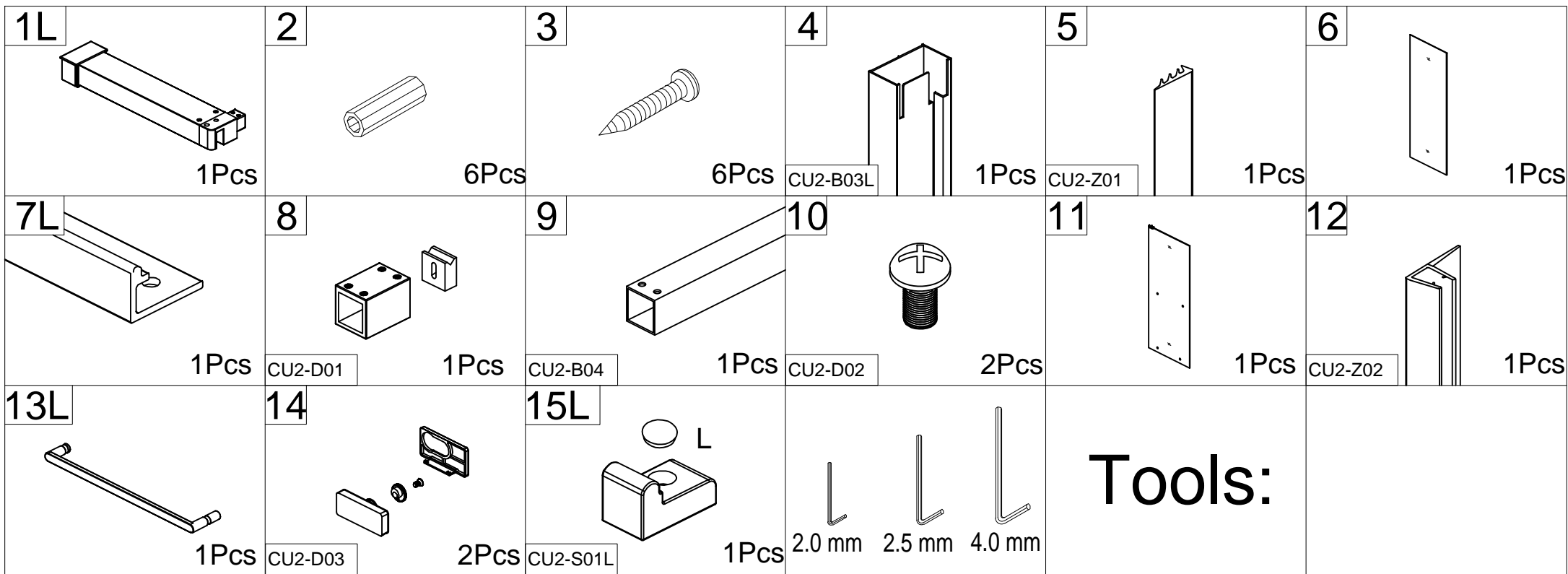


49.7004/49.7005/49.7006

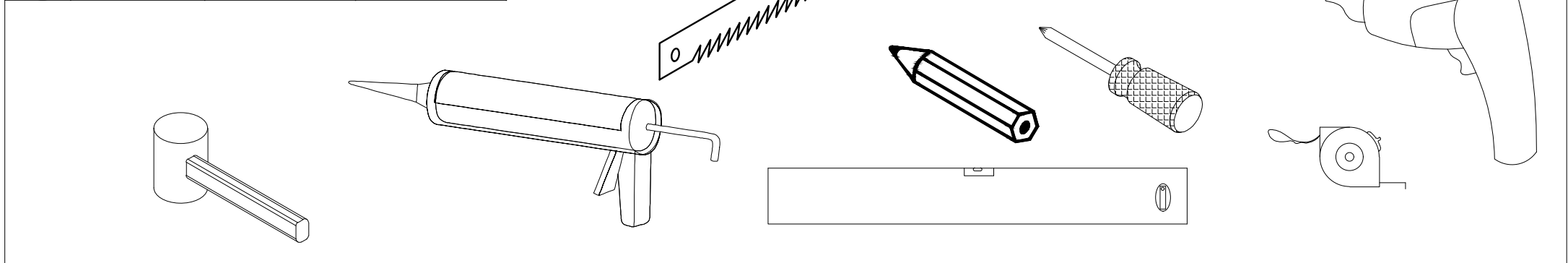
L



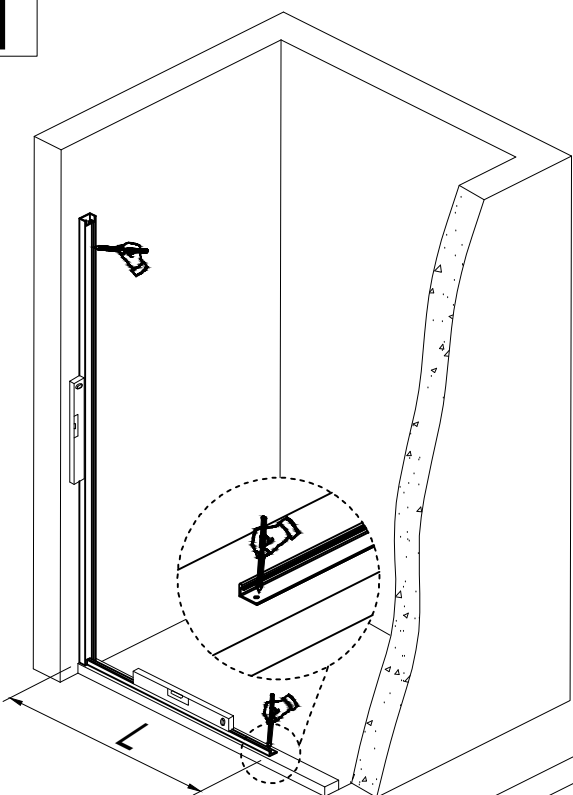




	1200*2000 L	1400*2000 L	1600*2000 L
①L	CU2-B01-1200L	CU2-B01-1400L	CU2-B01-1600L
	1200*2000 L	1400*2000 L	1600*2000 L
⑦L	CU2-B02-1200L	CU2-B02-1400L	CU2-B02-1600L
	1200*2000 L	1400*2000 L	1600*2000 L
⑬L	CU2-D04-1200	CU2-D04-1400	CU2-D04-1600

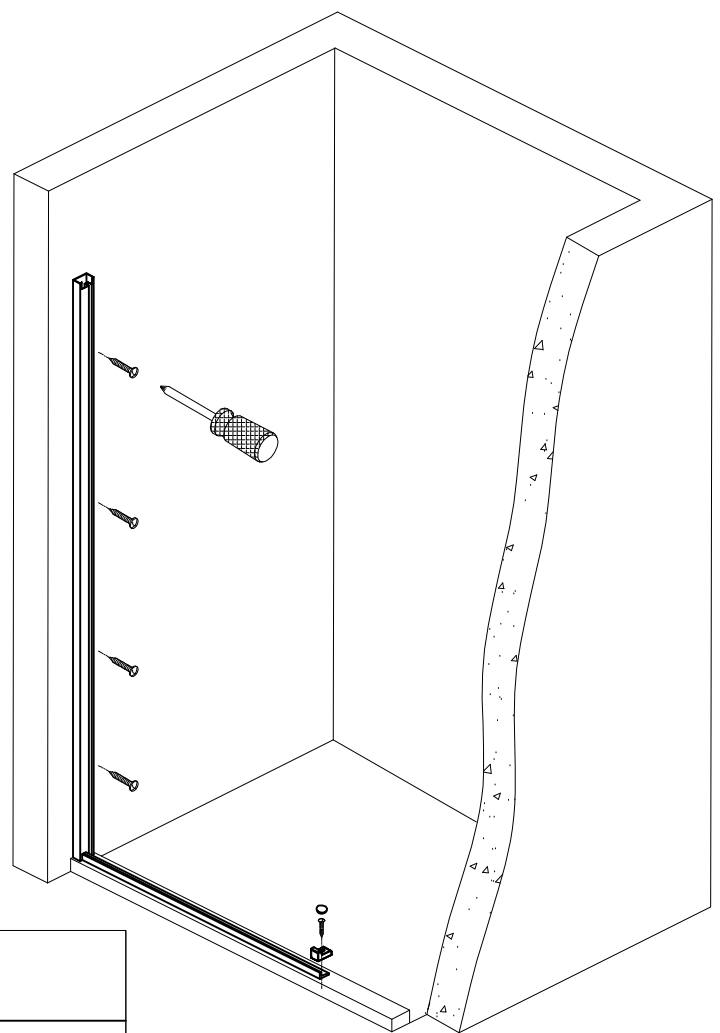


1



	L
1200	1180-1190
1400	1380-1390
1600	1580-1590

2

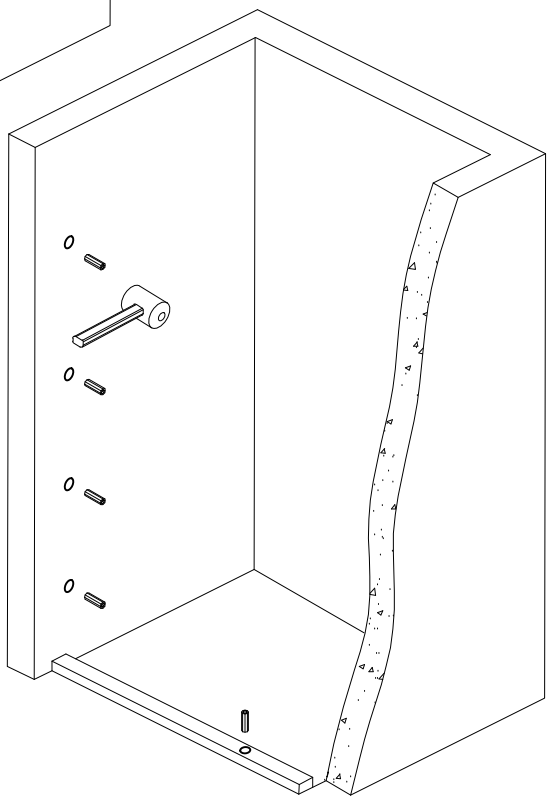


1-1 Inside **4x1**

Outside

1-2 $\varnothing 6 \times 30 \text{mm}$

1-3 **2x5**



2-1 Inside

3x4

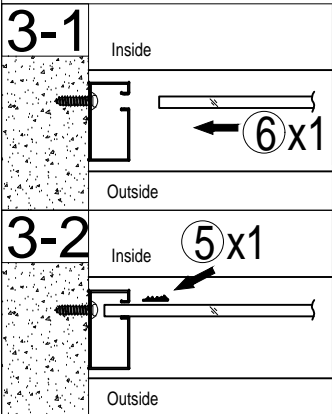
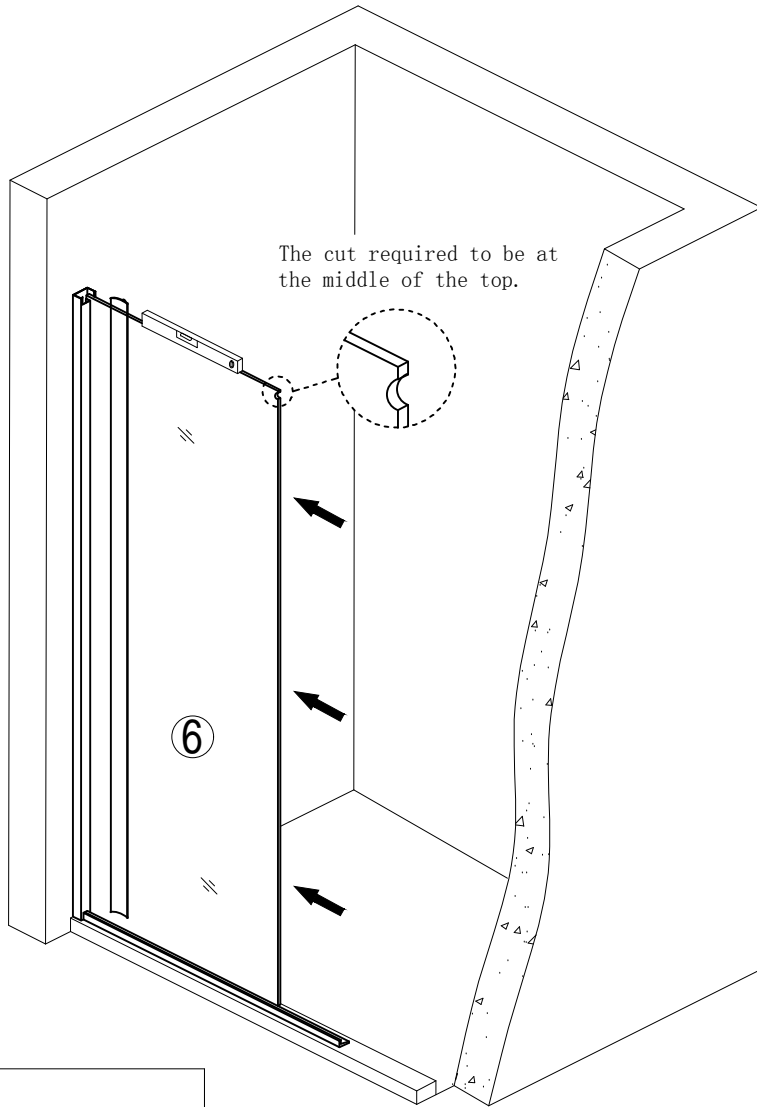
Outside

2-2

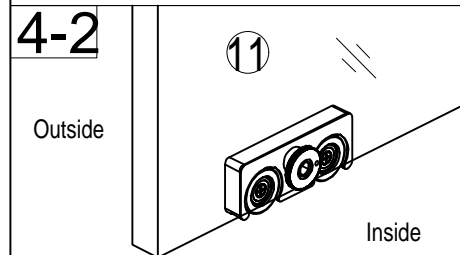
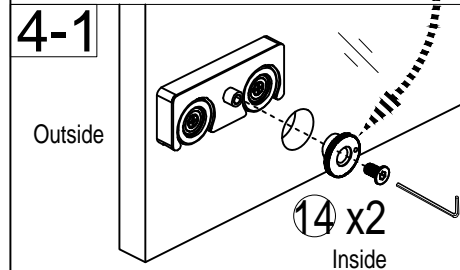
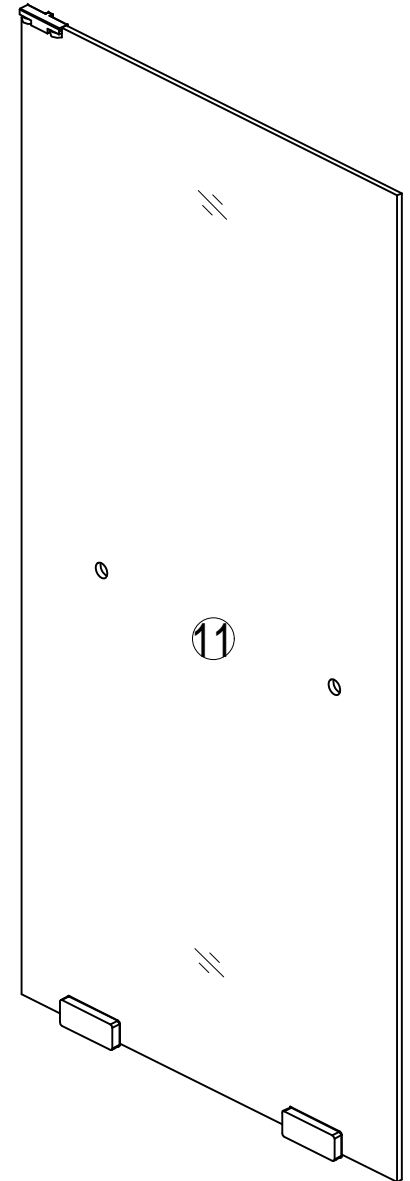
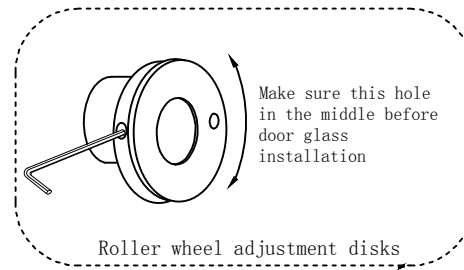
3x1 **7x1**

15x1

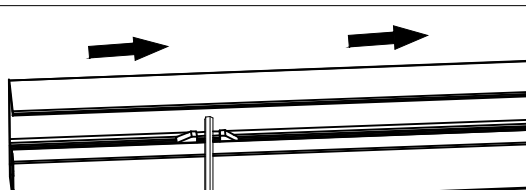
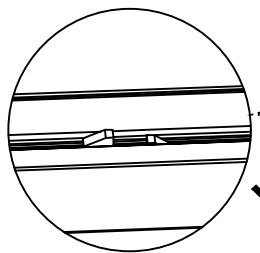
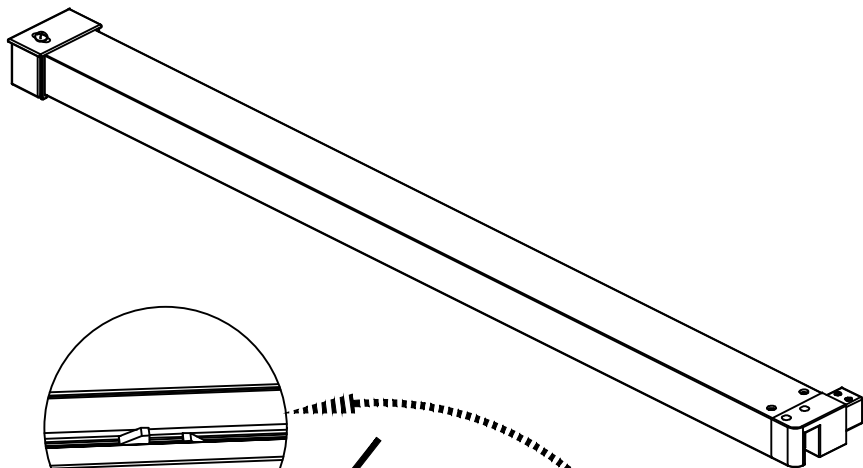
3



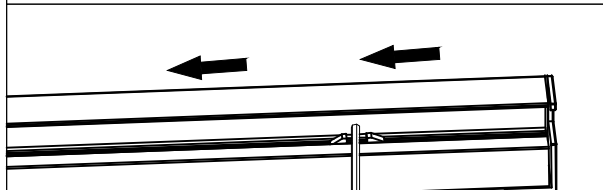
4



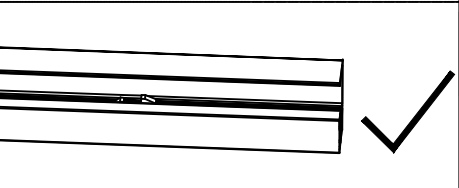
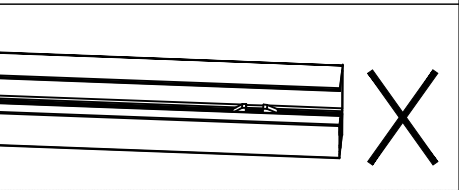
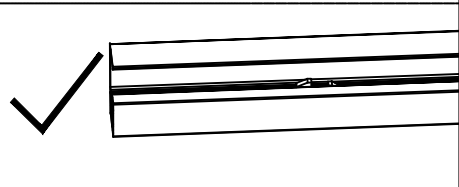
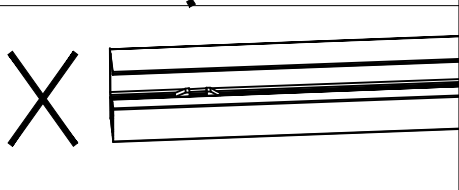
5



Pls make sure the block part in the correct location before rail installation, if not, use the 2.5mm allen key to drag the block as the arrow requested.

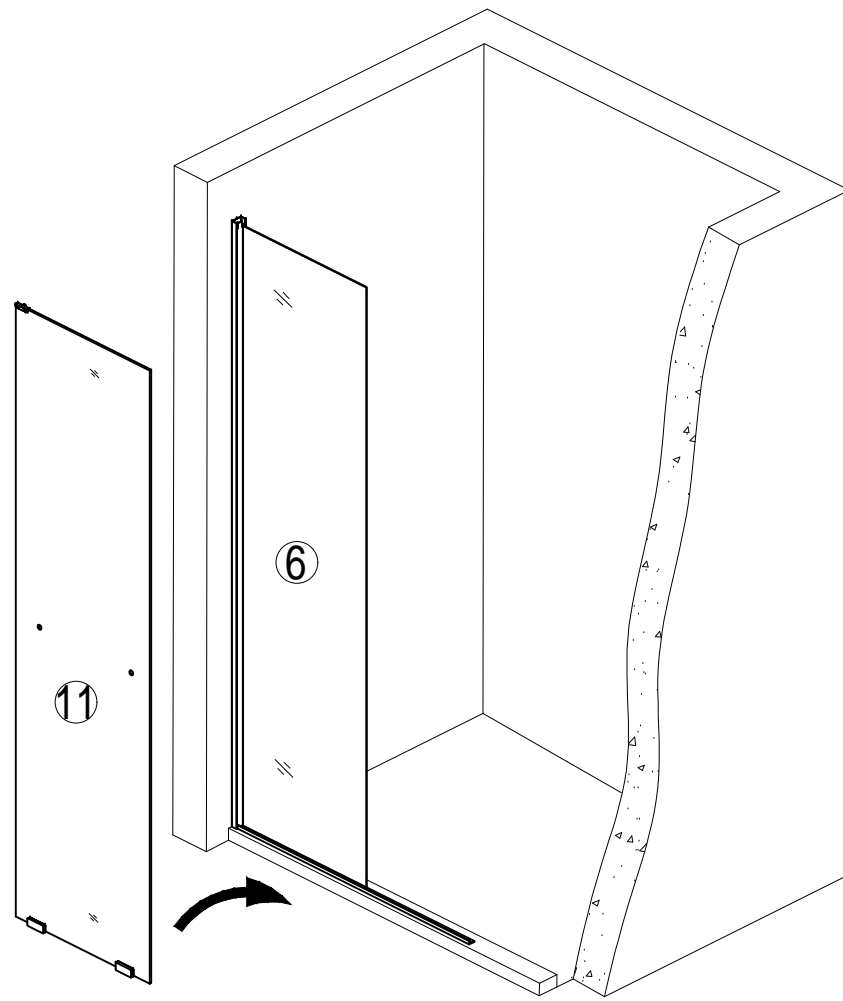


Pls make sure the block part in the correct location before rail installation, if not, use the 2.5mm allen key to drag the block as the arrow requested.

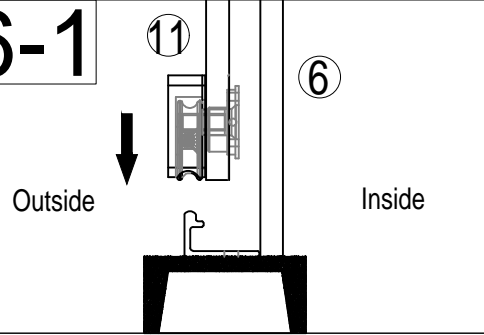


Pls note: If the soft close mechanism is loose in the rail, pls fix the 2 grub screws to make sure tight.

6



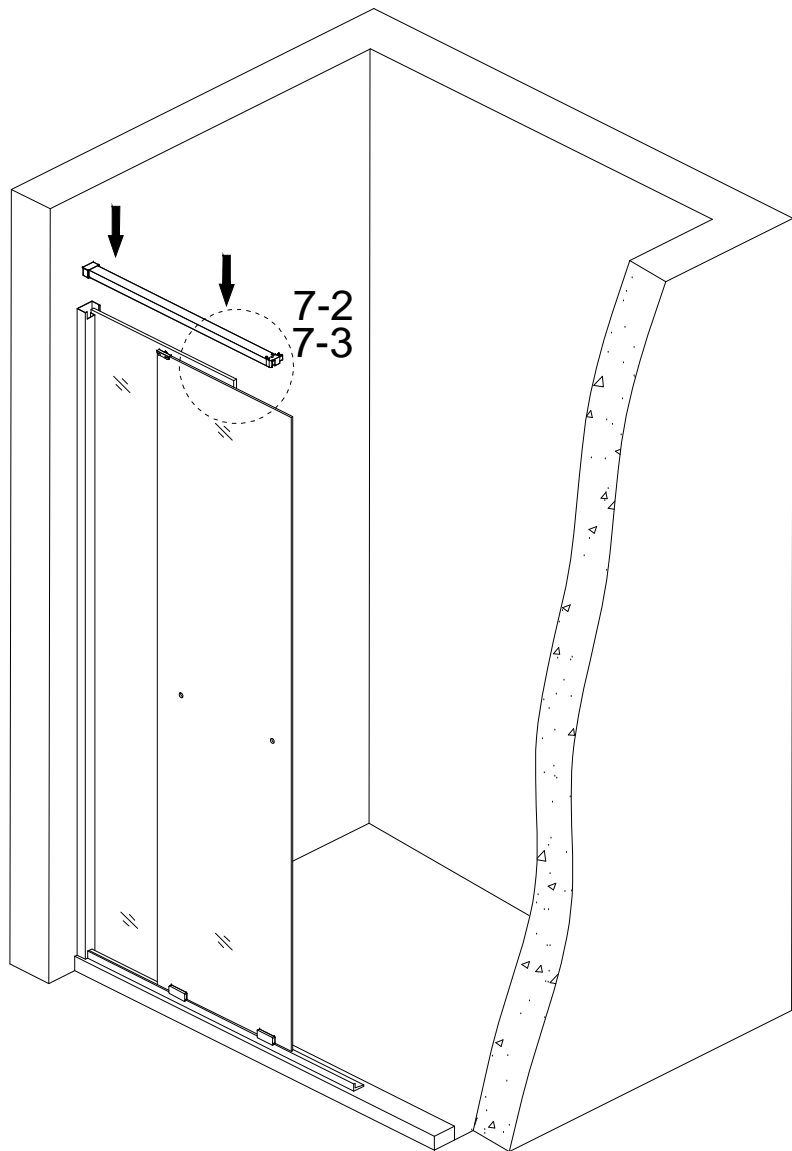
6-1



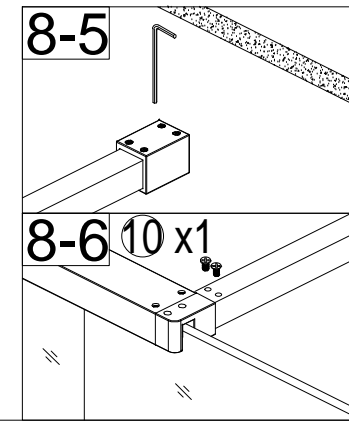
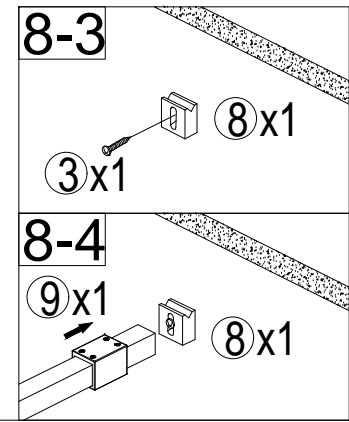
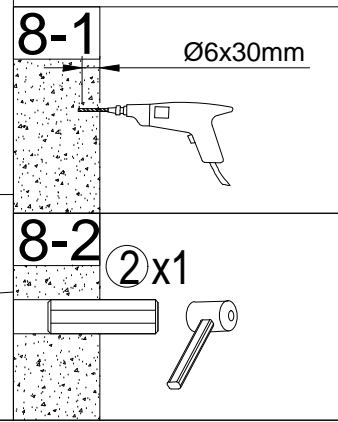
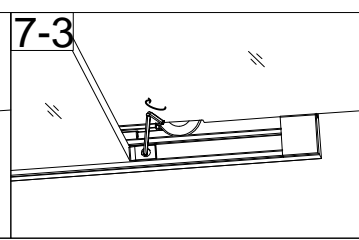
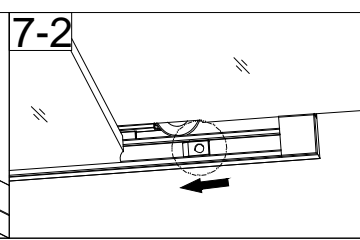
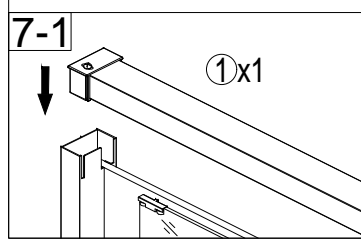
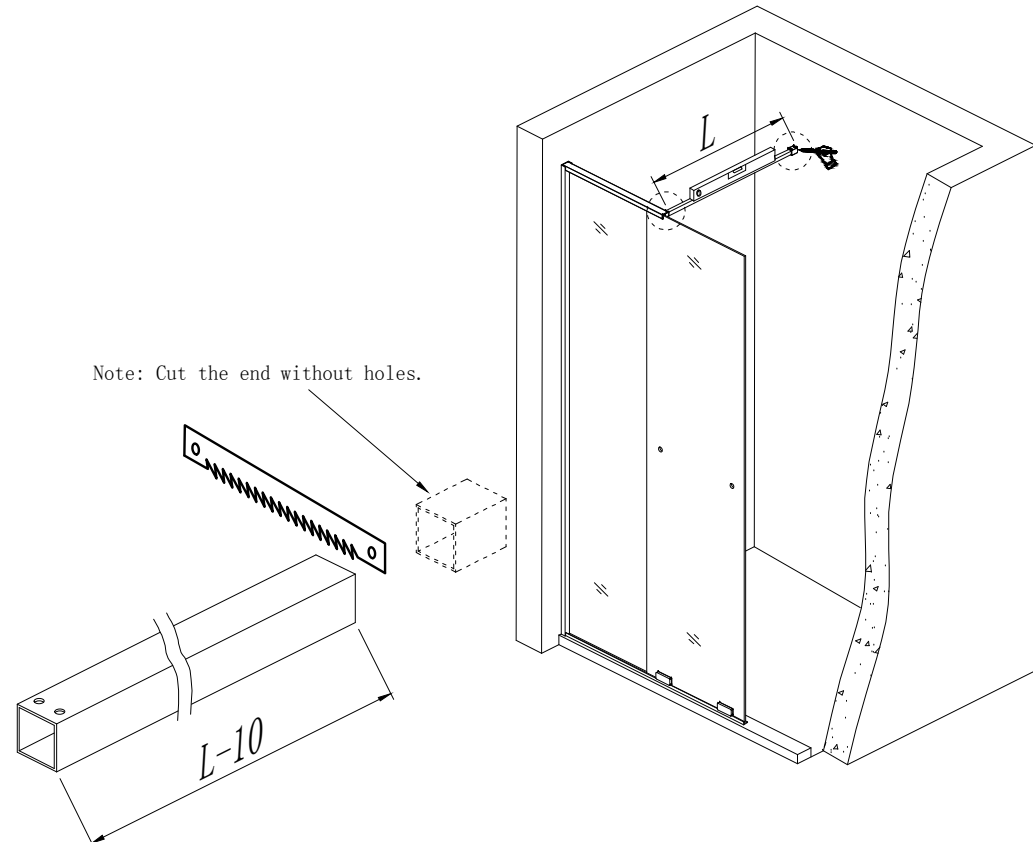
Outside

Inside

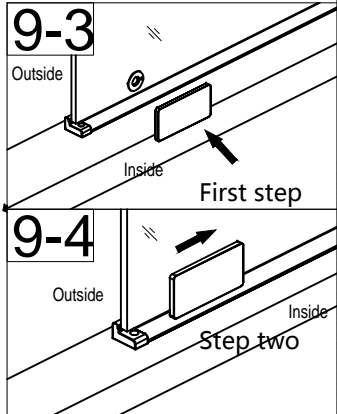
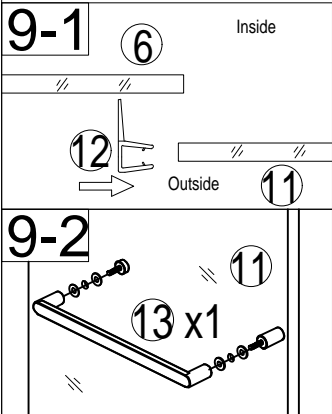
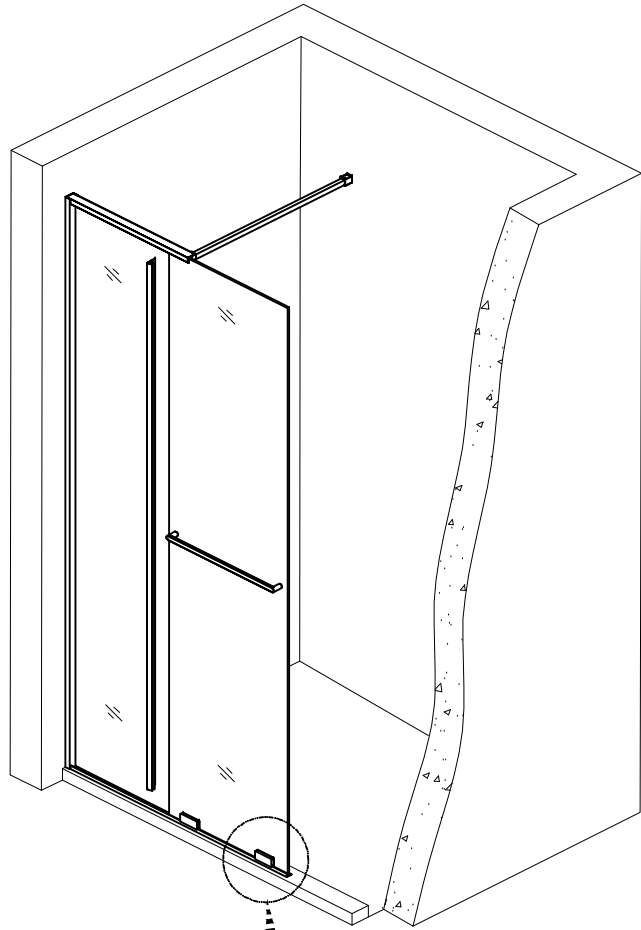
7



8



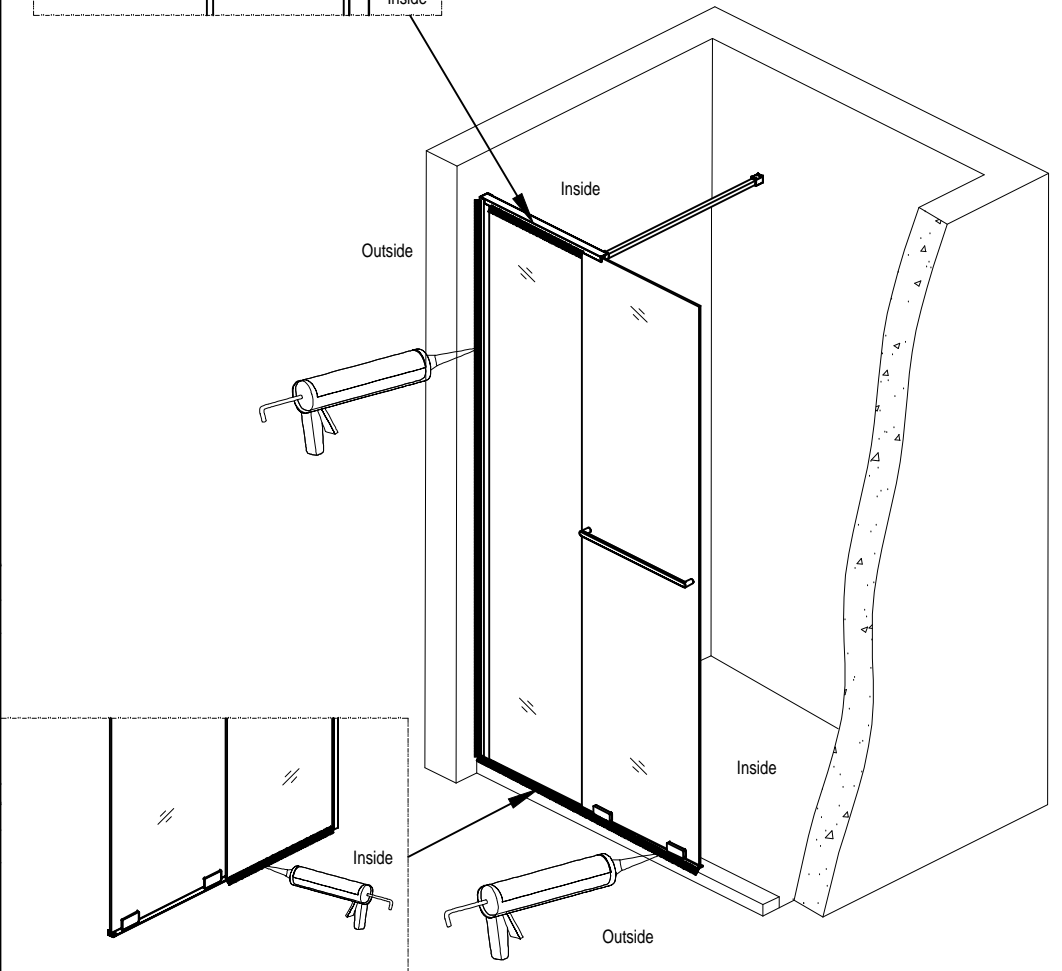
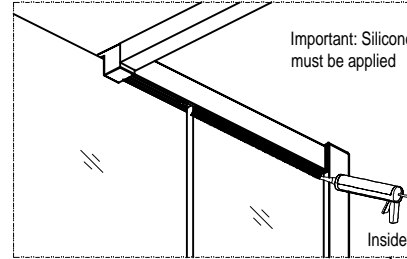
9



10

Care Instructions:

Do not use your shower enclosure within 24 hours of assembly . Do not use caustic cleaning products or abrasive material whencleaning your shower enclosure.



Eastbrook

Eastbrook Road, Gloucester GL4 3DB

Technical Helpline: 01452 317890

Email: technical@eastbrookco.com

Cleaning and Maintenance of Shower Enclosures

Do not clean the shower enclosure with irritant detergents such as alcohol, bleach or other chemical cleaners.

Only clean with mild soapy water or a proprietary cleaner where the label advises it is suitable for the materials the enclosure is constructed from. Test on a small area first.

For treating limescale we would recommend distilled vinegar in a half and half solution with water.

Following installation should you find that there is a notable noise when the glass door moves you may add a small amount of silicon lubricant onto the roller wheels and tracks, hinges or clips.

It is the responsibility of the product owner to maintain the product as recommended above. Also, to check for parts which have broken or become loose to protect against failure of the enclosure.